



Modular gripper

Customized design example



SUITABLE FOR FOODSTUFFS



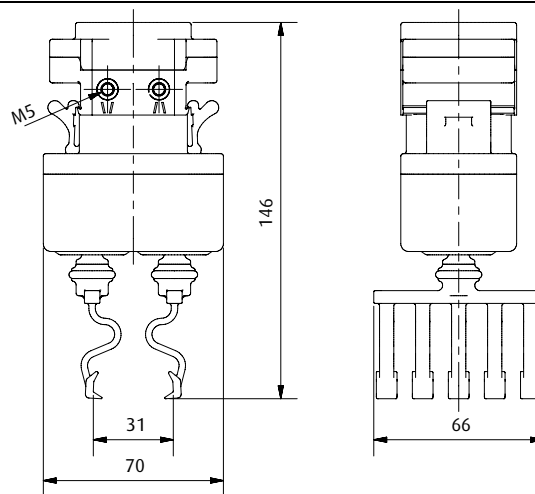
Product Description

- > Handling of food – here, chocolate bars
- > Gripper is precisely tailored to the workpiece
- > Connection to a Delta Robot
- > Dual-action
- > All components with FDA certification
- > Material: polyamide-based high-performance plastic

Ordering notes

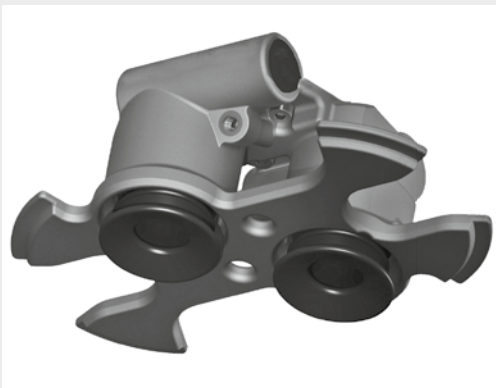
The product example displayed is based on customer specifications and not available as standard. We would be pleased to develop a solution optimally customized to your requirements.

Dimensions



Examples of application

- > Fish tin vacuum cups



- > Multiple vacuum cups

