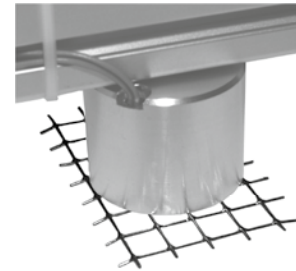
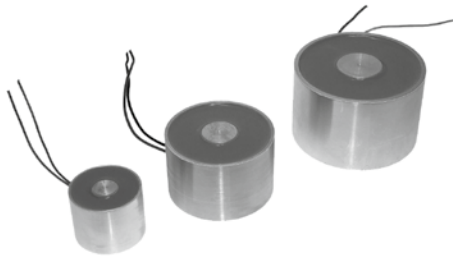




Magnetic grippers - electrical controlled

Secure handling by permanent magnets



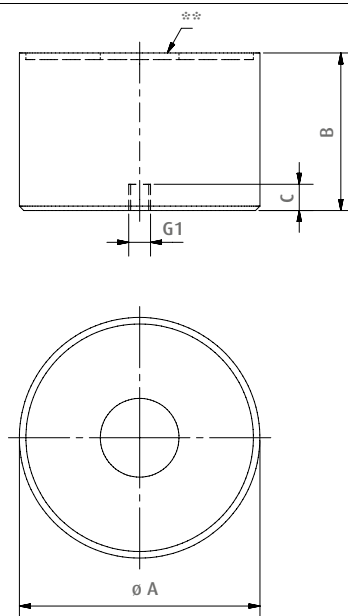
Product Description

- > Safe handling of sheet metal or ferromagnetic workpieces with or without bore holes or cut-outs
- > Advantages to pneumatic controlled magnetic grippers:
 - Nearly twice the holding force
 - Negligible remanent magnetism enables high duty cycles also with thin and/or alloyed sheet metal
- > No piping required
- > Highly energy efficient as electricity is only required for product release
- > Robust design, combination of permanent and electro-magnet
- > Easy integration in EOAT gripper systems via metric threads or spring plungers

Technical Data

| Item no. | Principle of operation | Rated power [W] | Gripping force [N] | Residual gripping force [N] | Operating voltage of the switch-off coil [V] | Power-on time [ED] | Protection class | Max. operating temperature [°C] | Weight [g] | Suitable fittings |
|----------|------------------------|-----------------|--------------------|-----------------------------|--|--------------------|------------------|---------------------------------|------------|-------------------|
| MG35 | electrical | 4,6 | 160 | <1 | 24 | 25% ED at < 2 min. | IP65 | 80 | 200 | 270.448 |
| MG55 | electrical | 9,0 | 420 | <1 | 24 | 25% ED at < 2 min. | IP65 | 80 | 500 | 270.449 |
| MG70 | electrical | 13,3 | 720 | <1 | 24 | 25% ED at < 2 min. | IP65 | 80 | 900 | 270.450 |

Dimensions



** = Holding surface

| Item no. | Ø A [mm] | B [mm] | C [mm] | G1 |
|----------|----------|--------|--------|----|
| MG35 | 35 | 30 | 5 | M4 |
| MG55 | 55 | 36 | 6 | M5 |
| MG70 | 70 | 45 | 8 | M8 |