

# Sheet metal handling | Vacuum cups

Bellows vacuum cups with 1,5 folds for dynamic sheet handling - Series SM-B

## Bellows vacuum cups with 1,5 folds for dynamic sheet handling - Series SM-B



### Product Description

Robust, circular NBR bellows suction cups, 60° Shore with vulcanized fitting and large area, multi-part "anti-slip" cleats.  
Various connection threads available. Silicone-free.

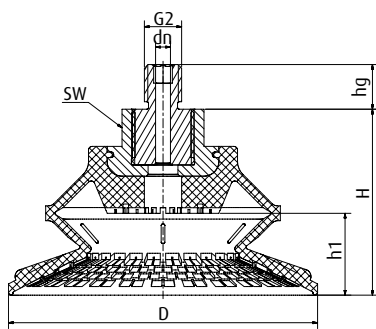
### Advantage

- > Internal supports help to prevent deep-drawing or deformation of thin sheets
- > Leak-free suction even with curved surfaces due to flexible sealing lip
- > Fold geometry allows handling of three dimensional shaped sheets
- > Secure fit due to vulcanized connection thread

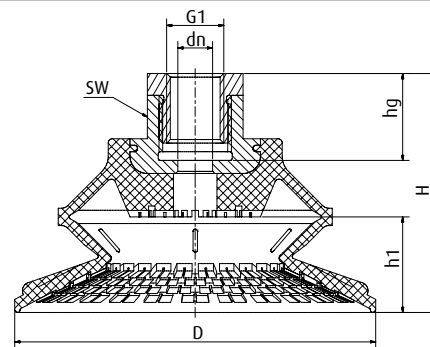
### Technical data

Model / Lip dimensions	Thread						
	G1/4-male	G1/4-female	G3/8-female	M10-male	M14x1,5-male	Rectangular adapter	
SM-B-30	22.030.171.1	22.030.172.1	22.030.173.1	22.030.174.1	22.030.175.1	22.030.176.1	9
SM-B-40	22.040.177.1	22.040.178.1	22.040.179.1	22.040.180.1	22.040.181.1	22.040.182.1	10
SM-B-50	22.050.183.1	22.050.184.1	22.050.185.1	22.050.186.1	22.050.187.1	22.050.188.1	11,5
SM-B-60	22.060.189.1	22.060.190.1	22.060.191.1	22.060.192.1	22.060.193.1	22.060.194.1	14,5
SM-B-80	22.080.195.1	22.080.196.1	22.080.197.1	22.080.198.1	22.080.199.1	22.080.200.1	22
SM-B-100	22.100.201.1	22.100.202.1	22.100.203.1	22.100.204.1	22.100.205.1	22.100.206.1	26
SM-B-125	22.125.207.1	22.125.208.1	22.125.209.1	22.125.210.1	22.125.211.1	22.125.212.1	32

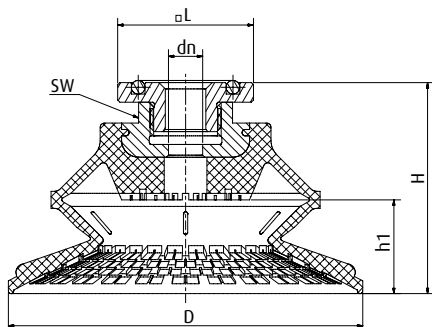
### Dimensions



Drawing A



Drawing B



Drawing C



"Anti-slip" Cleats (SM-B-80)

# Sheet metal handling | Vacuum cups

Bellows vacuum cups with 1,5 folds for dynamic sheet handling - Series SM-B

Item no.	Drawing	Ø D [mm]	Ø dn [mm]	G1 (female)	G2 (male)	□L [mm]	H [mm]	h1 [mm]	hg [mm]	SW
22.030.171.1	A	32	4	--	G1/4	--	28	9	10	17
22.030.172.1	B	32	4	G1/4	--	--	28	9	12	17
22.030.173.1	B	32	4	G3/8	--	--	44	9	10	17
22.030.174.1	A	32	4	--	M10	--	28	9	12	17
22.030.175.1	A	32	4	--	M14x1,5	--	28	9	12	17
22.030.176.1	C	32	4	--	--	32	30,2	9	--	17
22.040.177.1	A	42	4	--	G1/4	--	29	10	10	17
22.040.178.1	B	42	4	G1/4	--	--	29	10	12	17
22.040.179.1	B	42	4	G3/8	--	--	45	10	10	17
22.040.180.1	A	42	4	--	M10	--	29	10	12	17
22.040.181.1	A	42	4	--	M14x1,5	--	29	10	12	17
22.040.182.1	C	42	4	--	--	32	31,2	10	--	17
22.050.183.1	A	52	6	--	G1/4	--	37	11,5	10	22
22.050.184.1	B	52	6	G1/4	--	--	42	11,5	20	22
22.050.185.1	B	52	6	G3/8	--	--	37	11,5	15	22
22.050.186.1	A	52	4	--	M10	--	37	11,5	12	22
22.050.187.1	A	52	6	--	M14x1,5	--	37	11,5	12	22
22.050.188.1	C	52	6	--	--	32	36,5	11,5	--	22
22.060.189.1	A	63	6	--	G1/4	--	41,5	14,5	10	22
22.060.190.1	B	63	8	G1/4	--	--	46,5	14,5	20	22
22.060.191.1	B	63	8	G3/8	--	--	41,5	14,5	15	22
22.060.192.1	A	63	4	--	M10	--	41,5	14,5	12	22
22.060.193.1	A	63	6	--	M14x1,5	--	41,5	14,5	12	22
22.060.194.1	C	63	8	--	--	32	41	14,5	--	22
22.080.195.1	A	83	6	--	G1/4	--	50	22	10	22
22.080.196.1	B	83	8	G1/4	--	--	55	22	20	22
22.080.197.1	B	83	8	G3/8	--	--	50	22	15	22
22.080.198.1	A	83	4	--	M10	--	50	22	12	22
22.080.199.1	A	83	6	--	M14x1,5	--	50	22	12	22
22.080.200.1	C	83	8	--	--	32	49,5	22	--	22
22.100.201.1	A	103	6	--	G1/4	--	57	26	10	22
22.100.202.1	B	103	8	G1/4	--	--	62	26	20	22
22.100.203.1	B	103	8	G3/8	--	--	57	26	15	22
22.100.204.1	A	103	4	--	M10	--	57	26	12	22
22.100.205.1	A	103	6	--	M14x1,5	--	57	26	12	22
22.100.206.1	C	103	8	--	--	32	56,5	26	--	22
22.125.207.1	A	128	6	--	G1/4	--	68	32	10	22
22.125.208.1	B	128	8	G1/4	--	--	73	32	20	22
22.125.209.1	B	128	8	G3/8	--	--	68	32	15	22
22.125.210.1	A	128	4	--	M10	--	68	32	12	22
22.125.211.1	A	128	6	--	M14x1,5	--	68	32	12	22
22.125.212.1	C	128	8	--	--	32	67,5	32	--	22