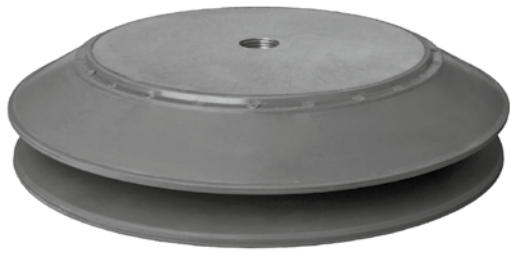




Bellows vacuum suction plates – Series SBPL-E



Product Description

Vacuum suction plate, 1.5 bellows, vulcanized carrier plate made of steel. Soft sealing lip from a low-marking NBR blend and lightly compressing bellows for gentle handling of heavy but sensitive products (e.g. glass plates). Divided support surfaces provide a firm grip for all loads.


Advantage

- > Gentle handling of heavy, sensitive products
- > Good adaptation to both concave and convex surfaces
- > Rubberised support surfaces prevent deformation of workpieces
- > Low marking

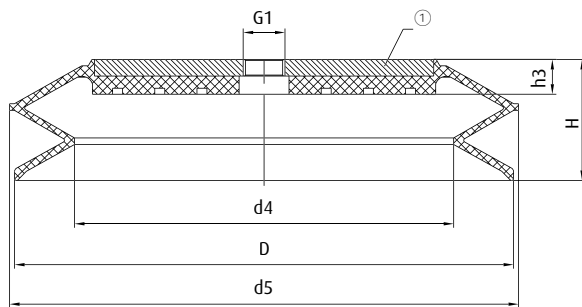
Ordering notes

Customised drilling patterns available on request

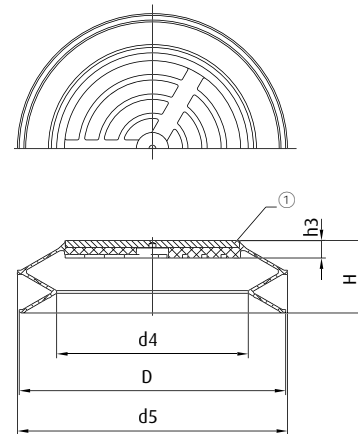
Technical Data

Item no.	Model / Lip dimensions	Connection thread		Weight [oz]	Number of bellows	Material / color
22.150.084.*	SBPL-E-150	G1/2-female	32	16.23	1.5	NBR (gr)
22.200.087.*	SBPL-E-200	G1/2-female	30	30.34	1.5	NBR (gr)
22.250.088.*	SBPL-E-250	G1/2-female	38	67.02	1.5	NBR (gr)
22.300.091.*	SBPL-E-306	-	60	148.15	1.5	NBR (gr)
22.350.102.*	SBPL-E-350	-	55	148.15	1.5	NBR (gr)

Dimensions



Ø 150 | 200 | 250 mm



Ø 306 | 350 mm

① = Beam: steel

Item no.	Ø D [mm]	Ø d4 [mm]	Ø d5 [mm]	G1	H [mm]	h3 [mm]
22.150.084.*	150	94	157	G1/2	54	15.5
22.200.087.*	200	140	206	G1/2	57	17
22.250.088.*	250	190	255	G1/2	61	17.5
22.300.091.*	306	220	310	--	83	20
22.350.102.*	350	262	350	--	84	21

* When ordering please add the appropriate material code to the item no. You will find it on www.fipa.com