



**Vacuum suction plates with TPU sealing lip – Series SP-PLT**



**Product Description**

Large, very stable vacuum suction plate for handling heavy loads with a smooth, even surface. The TPU sealing lip is very low-marking and therefore well suited for glass and so-called „white goods“. The sealing lip snaps (form-locking) into a support plate.

**Advantage**

- > It leaves virtually no marks
- > Very resistant to wear
- > Lateral vacuum connection possible

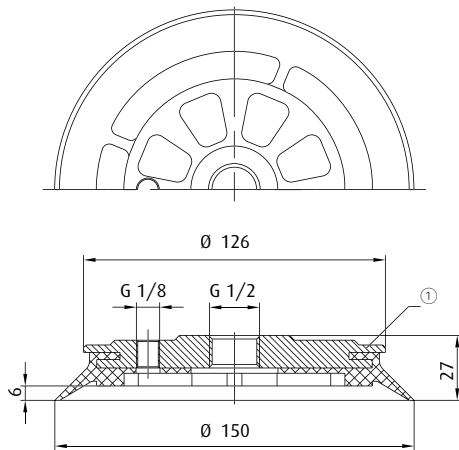
**Technical Data**

Item no.	Model / Lip dimensions	Connection thread	Weight [oz]	Material / color	
152.152.076.*	SP-PLT-150	G1/2-female	4.87	TPU (tr)	6
152.238.065.*	SP-PLT-245	G3/4-female	40.21	TPU (tr)	8
152.350.075.*	SP-PLT-350	G3/4-female	83.95	TPU (tr)	8

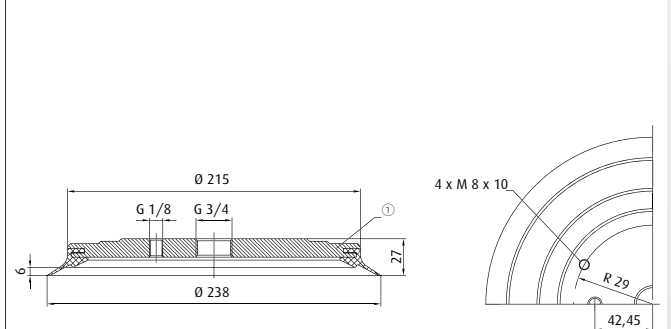
**Accessories**

Item no.	Suitable spare cups	Suitable touch valves
	152.152.076.*	154.152.048.*
152.238.065.*	154.238.046.*	--
152.350.075.*	154.350.050.*	--

**Dimensions**



152.152.076.\*



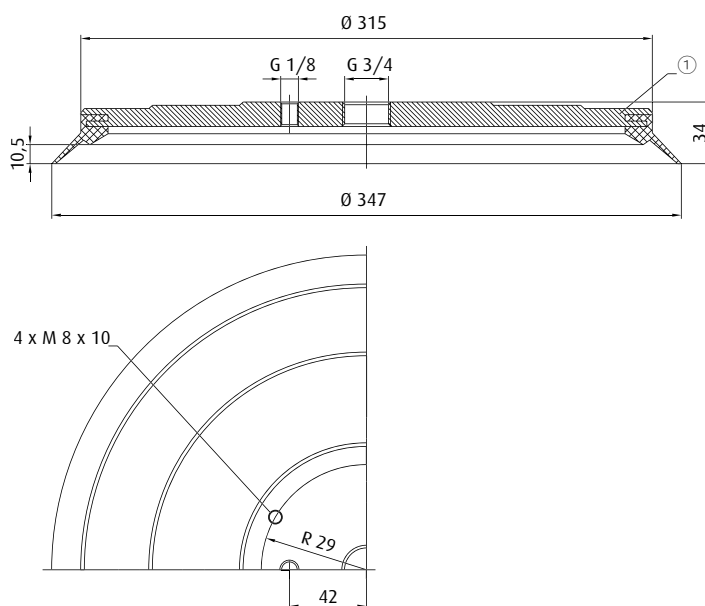
152.238.065.\*

① = Aluminum

\* When ordering please add the appropriate material code to the item no. You will find it on [www.fipa.com](http://www.fipa.com)



## Dimensions



152.350.075\_\*

① = Aluminum

\* When ordering please add the appropriate material code to the item no. You will find it on [www.fipa.com](http://www.fipa.com)