



Vacuum suction plates with foam rubber sealing lip – Series SP-PLM






**Product Description**

Flat vacuum suction plate in round and oval design with a soft, foamed sealing lip made of EPDM. The sealing lip snaps (form-locking) into a support plate.

**Advantage**

- > Good sealing of heavily textured surfaces
- > Cost-effective replacement of worn seals

**Technical Data**

Item no.	Model / Lip dimensions	Connection thread		Weight [oz]	Material / color
 <b>Flat vacuum suction plates, round</b>					
160.042.001._*	SP-PLM-35	G1/8-female	1	0.78	EPDM (sw)
160.067.003._*	SP-PLM-60	G1/8-female	1	2.22	EPDM (sw)
160.107.006._*	SP-PLM-100	G1/2-female	1	8.25	EPDM (sw)
160.145.014._*	SP-PLM-140	G1/2-female	1	20.74	EPDM (sw)
160.215.009._*	SP-PLM-200	G3/4-female	2.5	43.03	EPDM (sw)
160.315.012._*	SP-PLM-300	G3/4-female	2.5	87.55	EPDM (sw)
 <b>Flat vacuum suction plates, oval</b>					
133.111x31.3._*	SP-PLM-110x30	G1/8-female	1	3.1	EPDM (sw)
133.211x51.4._*	SP-PLM-210x50	G1/2-female	1	10.93	EPDM (sw)

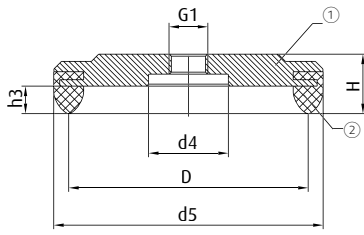
**Accessories**

Item no.	Suitable spare cups	Suitable touch valves
<b>Flat vacuum suction plates, round</b>		
160.042.001._*	102.038.451._*	270.129 (p. 510)
160.067.003._*	102.060.452._*	270.129 (p. 510)
160.107.006._*	102.100.453._*	270.130 (p. 510)
160.145.014._*	102.140.454._*	270.130 (p. 510)
160.215.009._*	102.210.455._*	--
160.315.012._*	102.310.456._*	--
<b>Flat vacuum suction plates, oval</b>		
133.111x31.3._*	132.106X26.075._*	--
133.211x51.4._*	132.207X47.076._*	--

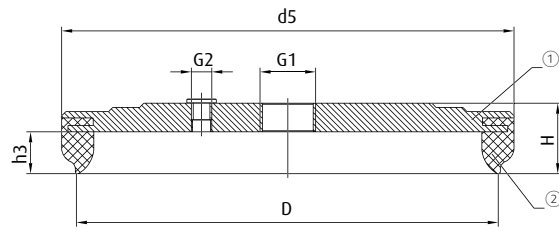
\* When ordering please add the appropriate material code to the item no. You will find it on [www.fipa.com](http://www.fipa.com)



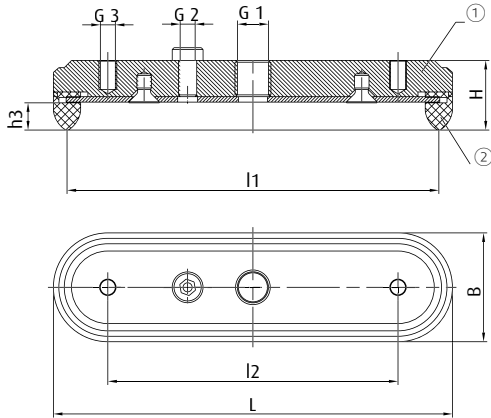
Dimensions



Flat vacuum suction plates, round  
Ø 35 | 60 | 100 | 138 mm



Flat vacuum suction plates, round  
Ø 201 | 300 mm



Flat vacuum suction plates, oval  
111x31 | 210x50 mm

① = Aluminum

② = Sponge rubber EPDM

Item no.	Ø D [mm]	L [mm]	B [mm]	l1 [mm]	l2 [mm]	Ø d4 [mm]	Ø d5 [mm]	G1	G2	G3	H [mm]	h3 [mm]
<b>Flat vacuum suction plates, round</b>												
160.042.001.*	35	--	--	--	--	20	43	G1/8	--	--	15	7
160.067.003.*	60	--	--	--	--	20	68	G1/8	--	--	15	7
160.107.006.*	100	--	--	--	--	30	108	G1/2	--	--	19	7
160.145.014.*	138	--	--	--	--	30	145	G1/2	--	--	24	7
160.215.009.*	201	--	--	--	--	--	215	G3/4	G1/8	--	34	20
160.315.012.*	300	--	--	--	--	--	315	G3/4	G1/8	--	34	20
<b>Flat vacuum suction plates, oval</b>												
133.111x31.3.*	--	110	30	103	80	--	--	G1/8	M5	M5	19	7.5
133.211x51.4.*	--	210	50	200	160	--	--	G1/2	G1/8	M6	21	7.5

\* When ordering please add the appropriate material code to the item no. You will find it on [www.fipa.com](http://www.fipa.com)