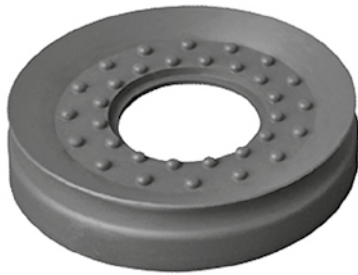


Flat vacuum cups with a short stroke - Series SFK-G




**Product Description**

Flat vacuum cups for even surfaces with minimal stroke. Particularly suitable for clamping elements. Connection via a snap-in, interlocking aluminum plate.


**Advantage**

- > Rubberized support surfaces prevent deformation of the product and increase lateral stability.
- > Cost-effective replacement of worn seals

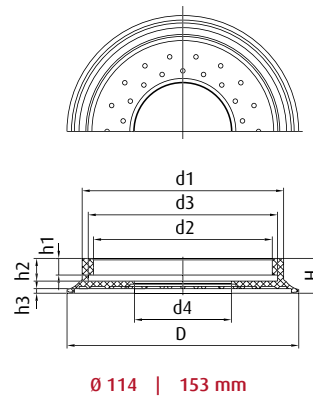
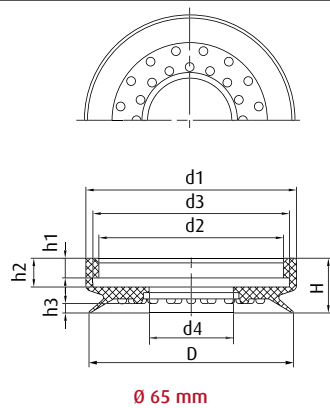
**Technical Data**

Item no.	Model / Lip dimensions		Material / color
154.065.003.*	SFK-G-65	3	NBR (sw), SI (w), FKM (g)
154.110.014.*	SFK-G-110	1.5	NBR (sw), SI (w), FKM (g)
154.150.021.*	SFK-G-150	2	NBR (sw), SI (w), FKM (g)

**Accessories**

Item no.	 Suitable fittings			
	G1/8-female	G1/4-female	G3/8-female	G1/2-female
154.065.003.*	270.158	270.264	270.161	270.286
154.110.014.*	--	270.224	270.167	270.266
154.150.021.*	--	270.171	270.173	270.268

**Dimensions**



Item no.	Ø D [mm]	Ø d1 [mm]	Ø d2 [mm]	Ø d3 [mm]	Ø d4 [mm]	H [mm]	h1 [mm]	h2 [mm]	h3 [mm]
154.065.003.*	65	67	59	63	27	17.5	6.3	9	3
154.110.014.*	114	96	88	91	53	17	8	11	1.2
154.150.021.*	153	133	118	125	64	23	11	15	3

\* When ordering please add the appropriate material code to the item no. You will find it on [www.fipa.com](http://www.fipa.com)