



Oval vacuum suction plates – Series SOPL-S and SOPL-A



Product Description

Oval vacuum cups, vulcanized, on a carrier plate of steel/aluminum for the handling of long, narrow products such as strips, profiles or frames. Rubberised support surfaces prevent deformation of the product and increase lateral stability.


Advantage

- > High suction force on a small footprint
- > Low marking
- > Optimal grip due to vulcanized steel carrier plate
- > Individual machines connection possible

Ordering notes

Customized drilling patterns available on request for Series SOPL-S

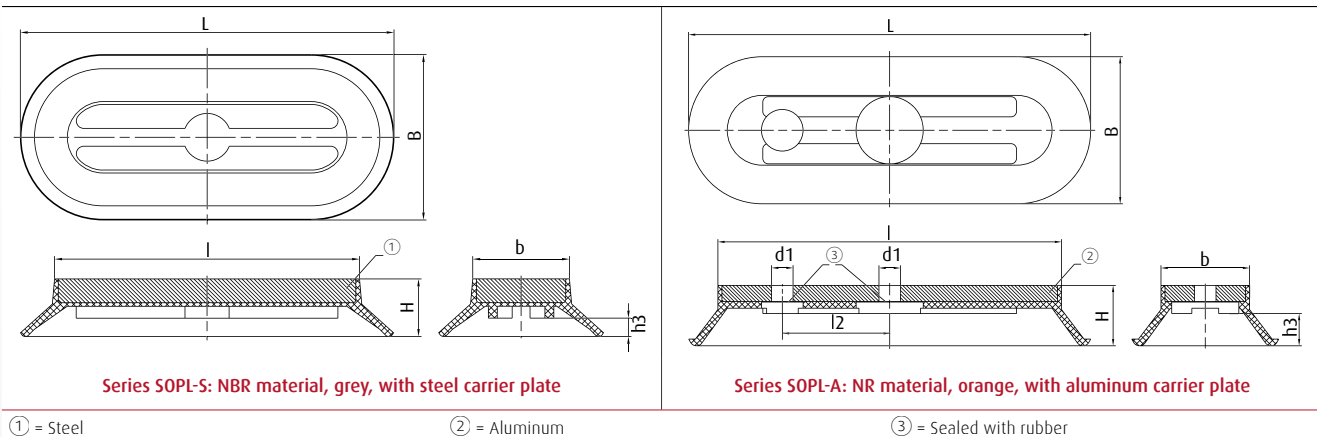
Technical Data

Item no.	Material / color		Weight [oz]	Model / Lip dimensions	Support surfaces
Series SOPL-S: NBR material, grey, with steel carrier plate					
9.200x40.010.*	NBR (gr)	9	4.94	SOPL-S-200x40	lengthwise
9.110x40.009.*	NBR (gr)	9	4.3	SOPL-S-110x40	lengthwise
9.125x55.012.*	NBR (gr)	9	11.29	SOPL-S-125x55	lengthwise
9.150x55.013.*	NBR (gr)	7	8.99	SOPL-S-150x55	lengthwise
9.200x55.014.*	NBR (gr)	7	18.98	SOPL-S-200x55	lengthwise
9.250x55.016.*	NBR (gr)	8	27.16	SOPL-S-250x55	lengthwise
9.300x55.019.*	NBR (gr)	8	31.82	SOPL-S-300x55	lengthwise
9.370x70.022.*	NBR (gr)	10	66.84	SOPL-S-370x70	lengthwise
9.200x100.015.*	NBR (gr)	8	20.99	SOPL-S-200x100	lengthwise
9.280x100.017.*	NBR (gr)	10	66.32	SOPL-S-280x100	lengthwise
9.450x130.025.*	NBR (gr)	6	93.83	SOPL-S-450x130	crosswise
9.430x180.024.*	NBR (gr)	6	131.22	SOPL-S-430x180	selective
9.580x180.029.*	NBR (gr)	10	123.46	SOPL-S-580x180	lengthwise
Series SOPL-A: NR material, orange, with aluminum carrier plate					
9.100x55.020.*	NR (or)	8	2.29	SOPL-A-100x55	lengthwise
9.150x55.083.*	NR (or)	8	4.02	SOPL-A-150x55	lengthwise
9.200x55.020.*	NR (or)	8	5.61	SOPL-A-200x55	lengthwise
9.300x55.046.*	NR (or)	8	10.58	SOPL-A-300x55	lengthwise

* When ordering please add the appropriate material code to the item no. You will find it on www.fipa.com



Dimensions



① = Steel

② = Aluminum

③ = Sealed with rubber

Item no.	L [mm]	B [mm]	l [mm]	b [mm]	l2 [mm]	∅ d1 [mm]	H [mm]	h3 [mm]
Series SOPL-S: NBR material, grey, with steel carrier plate								
9.200x40.010.*	195	36	176	15	--	--	19	6
9.110x40.009.*	113	43	87	17	--	--	19	8.5
9.125x55.012.*	126	56	103	33	--	--	19	6
9.150x55.013.*	151	56	128	33	--	--	19	6
9.200x55.014.*	200	55	178	33	--	--	19	6.3
9.250x55.016.*	250	55	228	33	--	--	19	6
9.300x55.019.*	300	55	227	33	--	--	19	6
9.370x70.022.*	378	82	349	53	--	--	26	9
9.200x100.015.*	190	90	161	61	--	--	22	8.5
9.280x100.017.*	278	100	250	72	--	--	25	9
9.450x130.025.*	449	131	420	102	--	--	20	6.5
9.430x180.024.*	430	180	402	158	--	--	20	6
9.580x180.029.*	579	179	570	150	--	--	25	9
Series SOPL-A: NR material, orange, with aluminum carrier plate								
9.100x55.020.*	99	54	78	33	25	8	22.5	9
9.150x55.083.*	150	55	128	33	40	8	22.5	9
9.200x55.020.*	201	56	178	33	50	8	22.5	9
9.300x55.046.*	300	55	278	33	100	8	22.5	9

* When ordering please add the appropriate material code to the item no. You will find it on www.fipa.com