



Oval vacuum suction plates for textured surfaces – Series SOPL-R




**Product Description**

Oval vacuum cups for handling both rough surfaces and smooth, markedly uneven products. Connection via vulcanized aluminum plate.

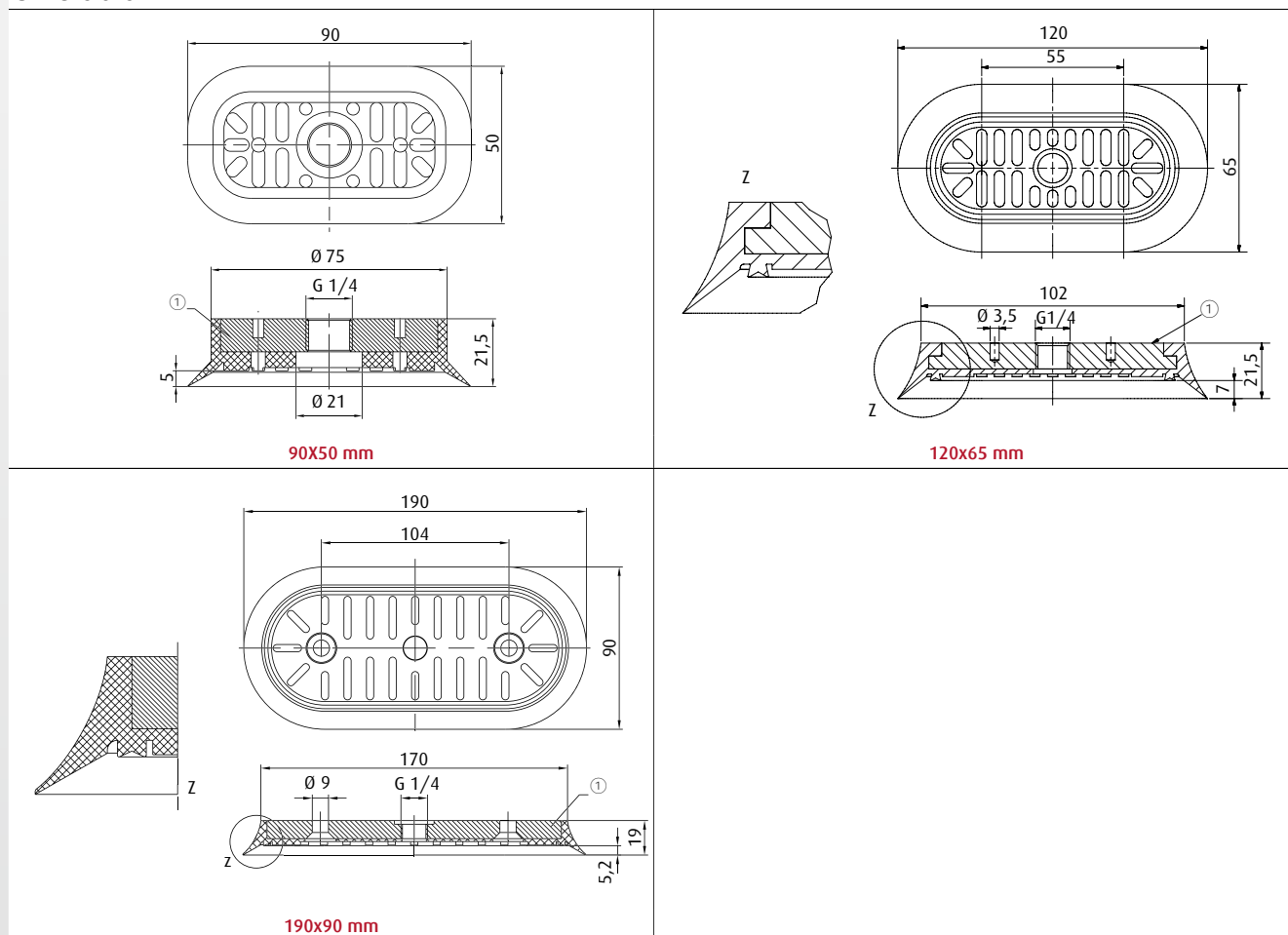
**Advantage**

- > Leak-free gripping of many difficult product surfaces thanks to extremely flexible, thinly tapered sealing lip
- > Cleats help prevent warping of the product
- > Optimum process reliability due to vulcanized backing plate, as well as additional internal safety sealing lip (190x90 and 120x65)

**Technical Data**

| Item no.         | Model / Lip dimensions | Connection thread | Material / color |  | Weight [oz] |
|------------------|------------------------|-------------------|------------------|--|-------------|
| 130.90x50.113._* | SOPL-R-90X50           | G1/4-female       | NR (bg)          | 5  | 2.54        |
| 9.120x65.088._*  | SOPL-R-120x65          | G1/4-male         | NR (bg)          | 7  | 131         |
| 9.190x90.061._*  | SOPL-R-190x90          | G1/4-female       | NR (bg)          | 5.5  | 10.41       |

**Dimensions**



① = Aluminum

\* When ordering please add the appropriate material code to the item no. You will find it on [www.fipa.com](http://www.fipa.com)